

4

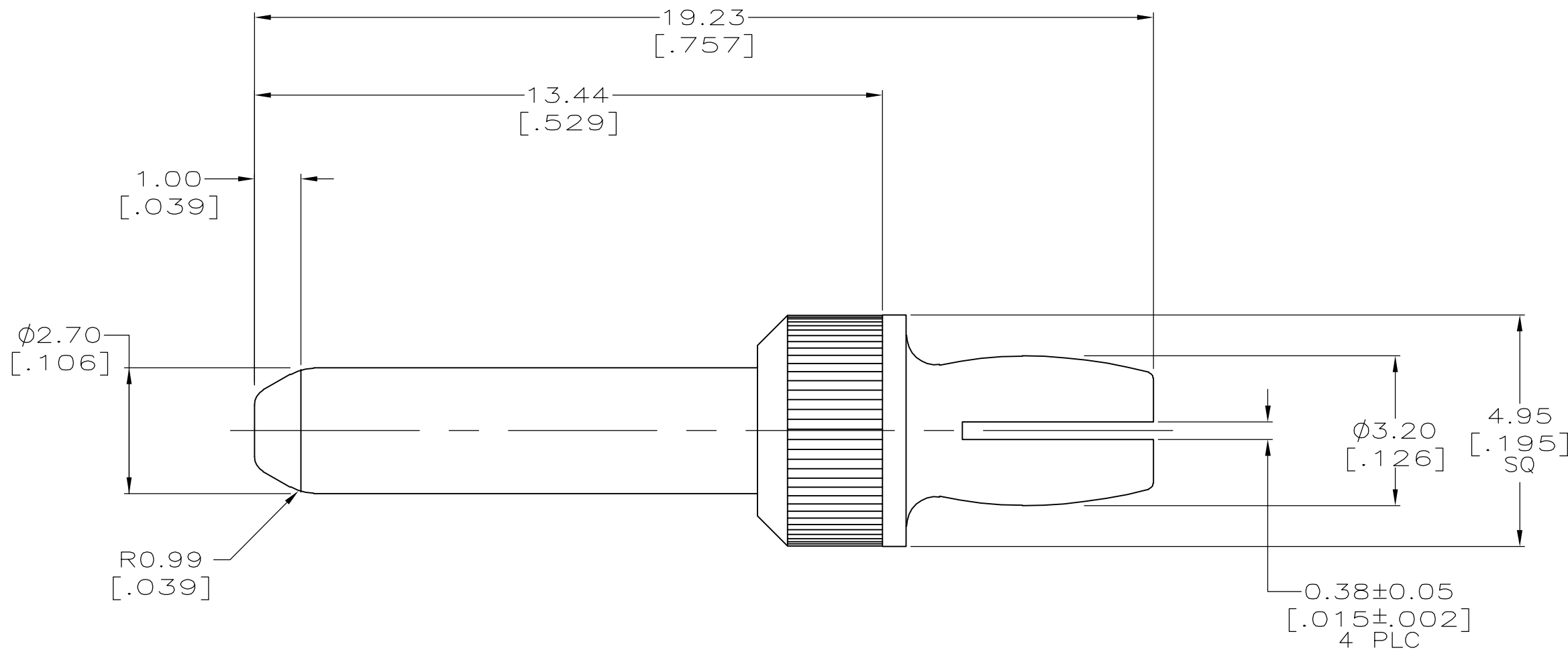
3

2

1

THIS DRAWING IS UNPUBLISHED. RELEASED FOR PUBLICATION - , - .
 © COPYRIGHT BY TYCO ELECTRONICS CORPORATION. ALL RIGHTS RESERVED.

LOC	DIST	REVISIONS					
AD	00	P	LTR	DESCRIPTION	DATE	DWN	APVD
		B		REV PER EC 0S12-0302-05	06DEC05	BC	GS



148547-1
 PART NUMBER

- ① CONTACT: COPPER ALLOY.
- ② CONTACT: 0.76µm [.000030] MIN GOLD OVER 1.27µm [.000050] MIN NICKEL.
- 3. COMPLIANT PIN REQUIRES A 2.36 [.093] MIN THICK PC BOARD. DRILLED HOLES ARE $\phi 3.13 \pm 0.08$ [.123 ± .003] WITH 0.05 ± 0.025 [.002 ± .001] COPPER AND 0.005 [.0001] MIN TIN-LEAD. FINISHED HOLE SIZE TO BE 3 ± 0.08 [.118 ± .003].

THIS DRAWING IS A CONTROLLED DOCUMENT.		DWN	B.CARBO	25 AUG 99	 Tyco Electronics Corporation Harrisburg, PA 17105-3608
DIMENSIONS: mm [INCHES]		CHK	C.RICHARD	25 AUG 99	
		APVD	C.RICHARD	25 AUG 99	
TOLERANCES UNLESS OTHERWISE SPECIFIED:		PRODUCT SPEC		NAME	
0 PLC ± - 1 PLC ± - 2 PLC ± 0.13 [.005] 3 PLC ± - 4 PLC ± - ANGLES ± -		APPLICATION SPEC		POWER CONTACT, MALE, PRESS FIT, (40 AMP)	
MATERIAL	FINISH	WEIGHT	SIZE		RESTRICTED TO
①	②	-	A3	00779	-
CUSTOMER DRAWING			DRAWING NO	C=148547	
			SCALE	10:1	SHEET 1 of 1
					REV B